

NEW!



Stagnation flushes with the **MONTUS Flow** cistern module.
By **SCHELL**.

SCHELL MONTUS Flow cistern module. With stagnation flush.



All technical components are pre-assembled. The solenoid valve is located downstream of the connection hose, so it is also flushed.



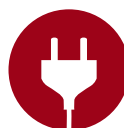
Maintaining drinking water quality



Save water



Stagnation flush



'Plug-and-play' installation



SWS-ready



Attractive price/performance ratio



SSC-ready



Trusted SCHELL quality

The practical, cost-effective solution to help maintain safe levels of drinking water quality.

Thanks to the new SCHELL MONTUS Flow cistern module, which optimally complements the SCHELL portfolio, all major tapping points in (semi-)public and commercial sanitary facilities can now make use of this option for stagnation flushes. In this way, SCHELL helps you achieve conformity with VDI 6023 and safeguard your drinking water system against dangerous bacteria like Legionella. The MONTUS Flow cistern module can be precisely controlled using the SCHELL SWS water management system or the SCHELL Single Control SSC Bluetooth® Flow module.

Product description:

- WC module (base type C 120) with pre-assembled brass solenoid valve (conforms to German drinking water regulations) for stagnation flush
- Stagnation flush performance 5 l/min at 3 bar (3.2 l/min at 1 bar)
- A PT 1000 temperature sensor can be optionally installed to measure and log temperatures in the flush valve at regular intervals
- Can be controlled as a standalone solution with the SSC Bluetooth® Flow module combined with the corresponding app or with additional cisterns via SCHELL SWS
- Mains operation
- Suitable for new and existing installations
- For stud partition or pre-wall installation
- Compatible with all SCHELL MONTUS operating panels

Advantages:

- Stagnation flushes help to maintain drinking water quality according to VDI 6023
- Standards-compliant stagnation flushes drain directly into the drain pipe - the cistern is not filled and fill height conforms to standards at all times
- Saves time, money and trouble: user-friendly installation with a 'plug-and-play' setup that requires only one electrical connection to be completed
- Water-saving dual-volume flush for regular operation
- Installation- and maintenance-friendly design offers long-term safety
- Rock-solid reliability with industry-leading SCHELL electronics
- Maximum cost effectiveness, time savings, control, flexibility and reductions to water consumption when used with SCHELL SWS, thanks to automated water management
- Specified normal operation can be simulated across all tapping points with SCHELL SWS

A MONTUS Flow installation works to save you both time and money

No additional hot water connection is needed at the MONTUS Flow cistern module, as the flushing of the hot water line can be controlled by SCHELL SWS using other tapping points.

As a result:

- An additional input of heat into the pre-wall structure (and therefore the cold water installation) is avoided
- No additional formation of steam and condensation in the cistern
- Less time and lower costs for installation, achieved by avoiding the additional hot water line

SCHELL MONTUS Flow cistern module. With stagnation flush. Easy integration with your water management system.

Facility managers who have already integrated a hygiene model into their buildings with SCHELL SWS or SSC now have the option of easily expanding this system with the MONTUS Flow cistern module. The wide range of setting options via SWS and the SSC Bluetooth® Flow module means that flush intervals – for example – can be ideally matched to local conditions and circumstances.

Advantages when used with the SCHELL SWS Water Management System and SMART.SWS:

- Centrally managed and systematic administration of even complex WC facilities using one or more servers
- Can be integrated into any industry-standard central building control system
- High degree of flexibility and suitability for various scenarios: stagnation flush flow times and intervals can be adjusted precisely with individually programmable days and times in the integrated flush calendar to match on-site conditions
- Temperature-driven control of MONTUS Flow is also possible when used together with SWS and temperature monitoring (installed temperature sensors)
- Full, documented compliance for building operators: all stagnation flushes completed are logged in the system
- Always-on remote access with any internet-ready device, provided by the supplementary SMART.SWS online service, with user-friendly visualisation of all data
- Easy installation: the accompanying electronic components, such as the BE-K Flow wired bus extender, can be installed into the wall using the SCHELL concealed junction box or installed over a suspended ceiling using a standard exposed junction box
- Optional: temperature sensors for logging the temperatures in the flush valve

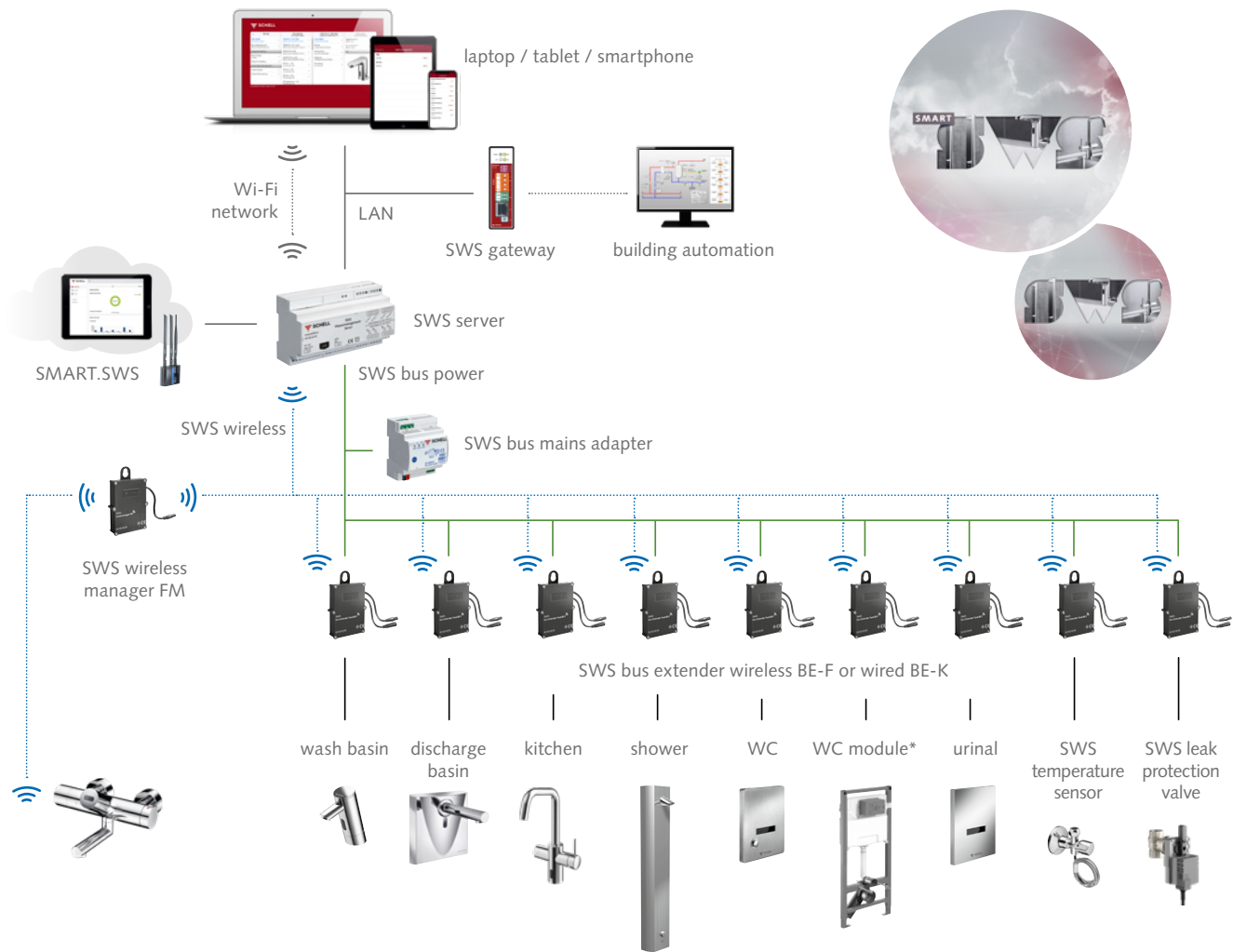
Advantages when used together with the SCHELL Single Control SSC Bluetooth® Flow module:

- Standalone solution for smaller-scale/rarely used WC facilities
- Simple parametrisation using a smartphone or tablet with the free SCHELL SSC App for iOS and Android
- User-friendly scheduling for stagnation flushes to suit any requirements, since these are easily configured to individually programmable days and times using the integrated flush calendar
- Logging of all flush times
- Flush data can be optionally sent via email (last 64 flushes, CSV file)
- Straightforward installation with concealed transformer

Go here to learn more about the SCHELL SWS water management system:

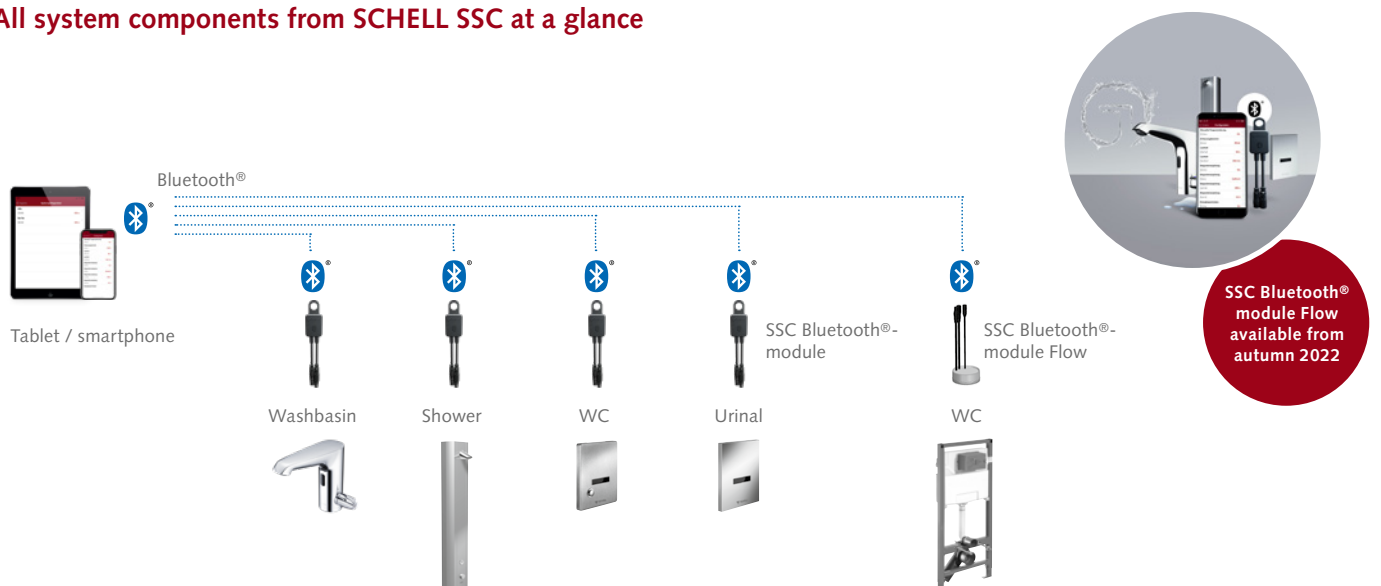


All system components from SCHELL SWS at a glance



*SWS bus extender wireless BE-F Flow or wired BE-K Flow

All system components from SCHELL SSC at a glance



A perfect combination: MONTUS operating panels and MONTUS Flow.
Your calling card for attractive sanitary facilities.



Enhance your MONTUS Flow installation with the stylish SCHELL MONTUS operating panels. From dual flush and start/stop functionality to convenient, contactless (and therefore hygienic) WC triggering with an infrared sensor, the choice is yours with MONTUS. Moulded in plastic, these elegant operating panels offer a range of surface finishes to enhance the visual appeal and positive overall impression of your sanitary facility.



MONTUS FIELD E
Item no. 03 123 06 99



MONTUS FIELD H
Item no. 03 124 06 99



MONTUS FIELD
Item no. 03 126 06 99



MONTUS PLACE
Item no. 03 078 28 99



MONTUS TOWER
Item no. 03 121 06 99



MONTUS KONKAV
Item no. 03 122 64 99



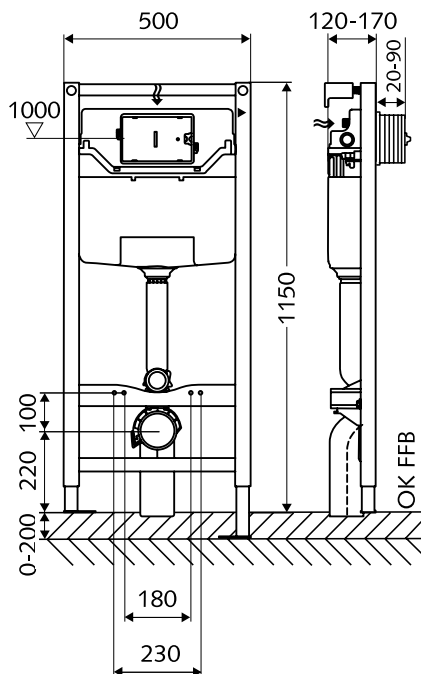
MONTUS BOARD
Item no. 03 120 64 99



MONTUS CIRCUM
Item no. 03 119 15 99

**SCHELL MONTUS Flow cistern module
with stagnation flush**

Item no. 03 038 00 99



**Recommended associated items
(based on operating options)**

SCHELL BE-F Flow wireless bus extender

Item no. 00 563 00 99

SCHELL BE-K Flow wired bus extender

Item no. 00 564 00 99

SCHELL PT 1000 temperature sensor (optional)

Item no. 00 562 00 99

SCHELL concealed junction box

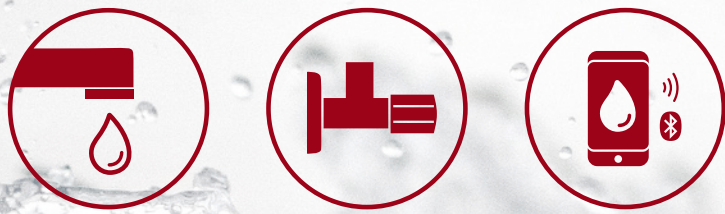
Item no. 77 752 00 99

SCHELL SSC Bluetooth® Flow module

Item no. 00 929 00 99

Technical data:

- Height of installation element 115 cm
- Height-adjustable installation feet 0-20 cm
- Fitting connection R 1/2 connection thread
- SCHELL angle valve with regulating function, noise class I
- Long connection cable for solenoid valve and ductwork: 5 metres
- Long cable for optional PT 1000 temperature sensor: 5 metres



SCHELL GmbH & Co. KG
Raiffeisenstraße 31
57462 Olpe
Germany
Tel. +49 2761 892-0
Fax +49 2761 892-199
info@schell.eu
www.schell.eu



 **Carbon neutral**
Print product
ClimatePartner.com/10956-2205-1001



MIX
Paper | Supporting
responsible forestry
FSC™ C111733